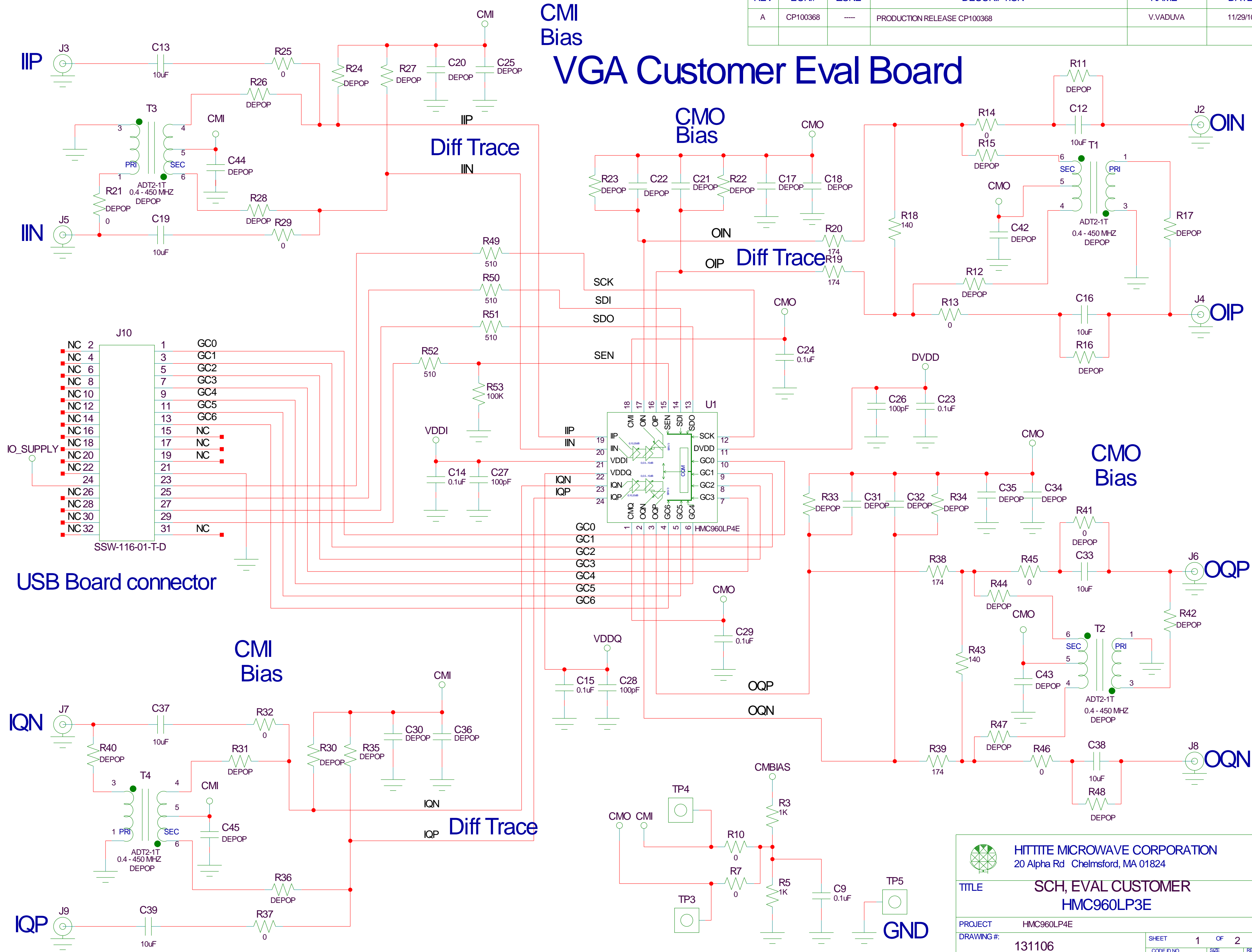


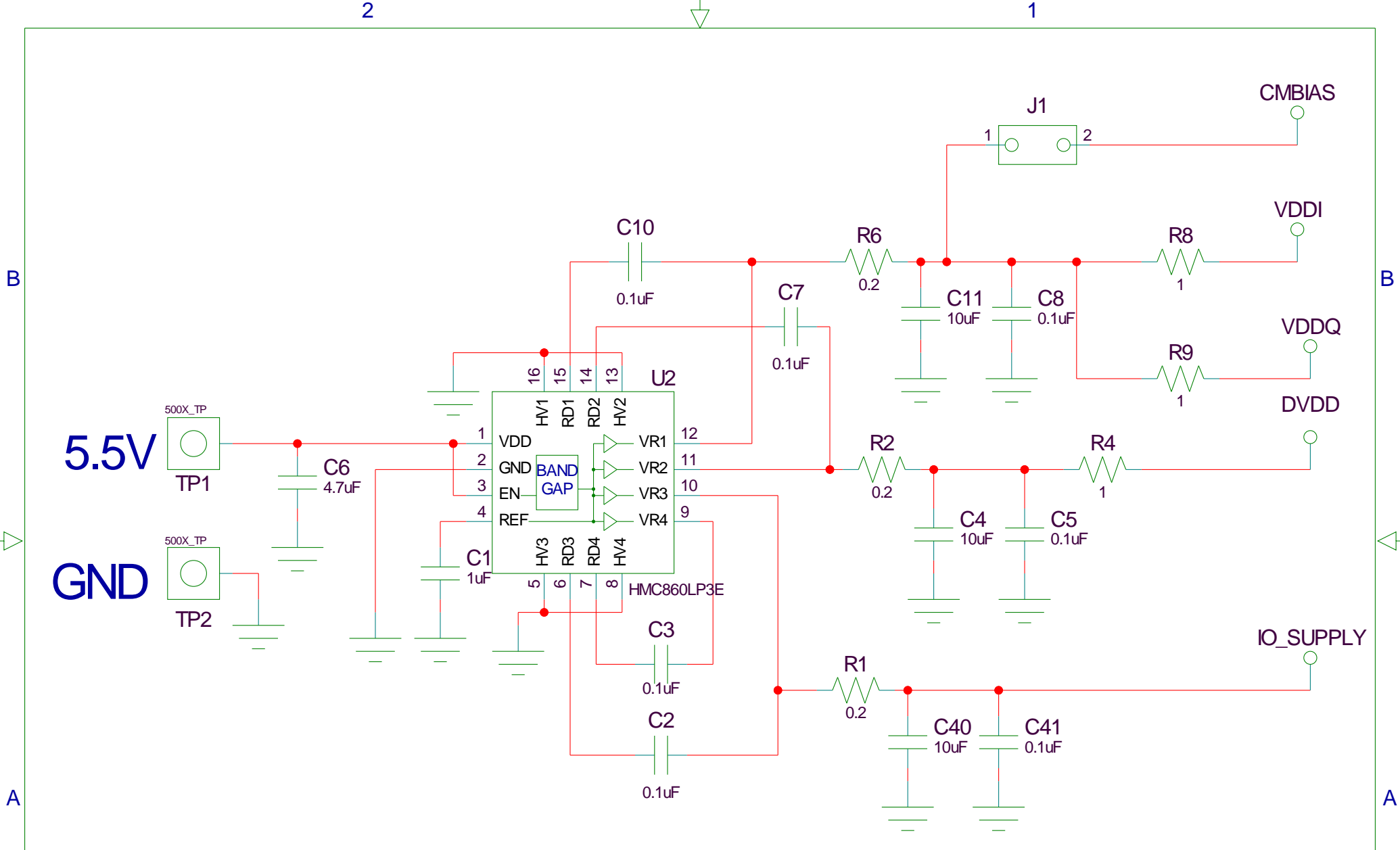
REVISIONS				NAME	DATE
REV	ECN#	ZONE	DESCRIPTION		
A	CP100368	----	PRODUCTION RELEASE CP100368	V.VADUVA	11/29/10


# CMI Bias VGA Customer Eval Board



NOTICE OF PROPRIETARY PROPERTY: THIS DOCUMENT AND THE INFORMATION CONTAINED IN IT ARE THE PROPRIETARY PROPERTY OF HITITE MICROWAVE CORPORATION. IT MAY NOT BE COPIED OR USED IN ANY MANNER NOR MAY ANY OF THE INFORMATION ON OR IN IT BE USED FOR ANY PURPOSE WITHOUT THE EXPRESSED WRITTEN CONSENT OF AN AUTHORIZED AGENT OF HITITE MICROWAVE CORPORATION.

<b>HITITE MICROWAVE CORPORATION</b> 20 Alpha Rd Chelmsford, MA 01824	
<b>TITLE</b> SCH, EVAL CUSTOMER <b>HMC960LP3E</b>	
<b>PROJECT</b> HMC960LP4E	
<b>DRAWING #:</b> 131106	SHEET 1 OF 2 CODE ID NO. 1CN88 SIZE C REV A
<b>DRAWN BY:</b> D.YOUNG	<b>DATE:</b> 11/29/2010



 <b>HITTITE MICROWAVE CORPORATION</b> 20 Alpha Rd Chelmsford, MA 01824				
<b>TITLE</b> SCH, EVAL CUSTOMER <b>HMC960LP3E</b>				
<b>PROJECT</b> HMC960LP4E				
<b>DRAWING #:</b> 131106			<b>SHEET</b> 2 OF 2	
<b>DRAWN BY</b> D. YOUNG			<b>DATE</b> 11/29/2010	
<b>CODE ID NO.</b> 1CN88			<b>SIZE</b> A	<b>REV</b> A